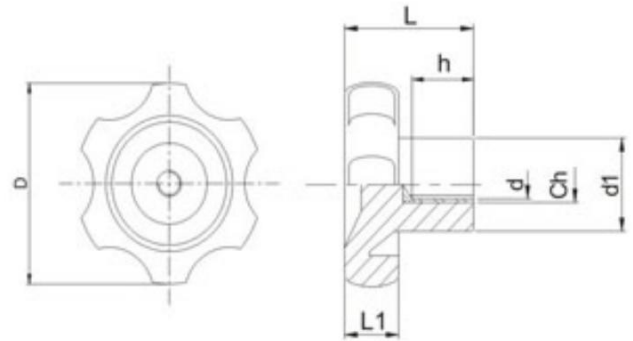


Baquelite / Rosca Latão

Desenho Técnico



Modelos e Especificações Técnicas

Código	D	L	d	d1	h	L1	Ch
MSF 3526-M6	35	26	M6x1,00	17	16	11	5/16"
MSF 3526-1/4"	35	26	1/4" UNC-20	17	16	11	5/16"
MSF 4631-M8	46	31	M8x1,25	22	16	13	1/2"
MSF 4631-M10	46	31	M10x1,50	22	16	13	1/2"
MSF 4631-1/4"	46	31	1/4" UNC-20	22	16	13	5/16"
MSF 4631-5/16"	46	31	5/16" UNC-18	22	16	13	1/2"
MSF 4631-3/8"	46	31	3/8" UNC-16	22	16	13	1/2"
MSF 6236-M8	62	36	M8x1,25	25	20	14	1/2"
MSF 6236-M10	62	36	M10x1,50	25	20	14	1/2"
MSF 6236-M12	62	36	M12x1,75	25	20	14	5/8"
MSF 6236-3/8"	62	36	3/8" UNC-16	25	20	14	1/2"
MSF 6236-1/2"	62	36	1/2" WW-12	25	20	14	5/8"
MSF 7142-M12	71	42	M12x1,75	28	20	18	5/8"
MSF 7142-1/2"	71	42	1/2" WW-12	28	20	18	5/8"
MSF 7142-5/8"	71	42	5/8" UNC-11	28	20	18	3/4"