

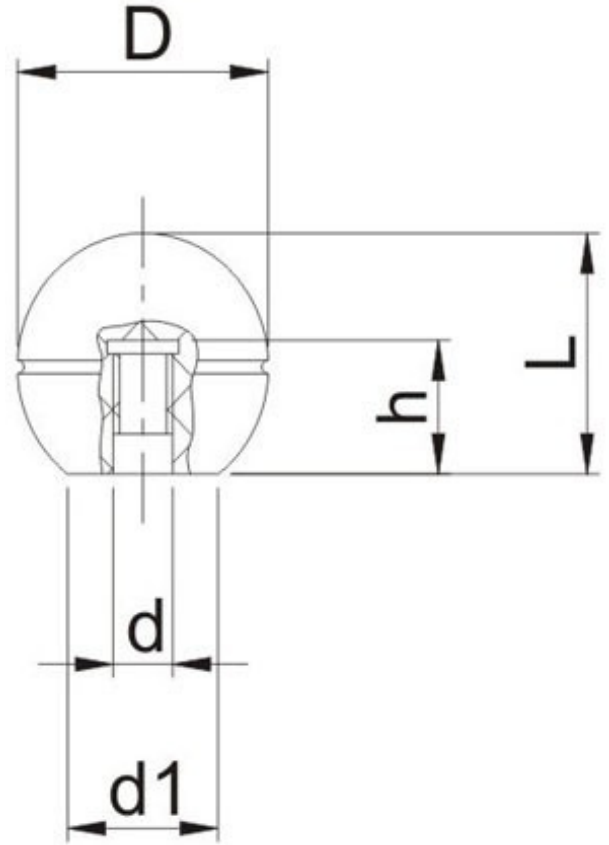
Esfera de baquelite

Tipo: EP

Baqelite



Desenho Técnico



Modelos e Especificações Técnicas

Código	D	L	h	d1	d
EP020-M6	20	18	11	12	M6x1,00
EP020-1/4"	20	18	11	12	1/4" UNC-20
EP025-M6	25	24	16	13	M6x1,00
EP025-M8	25	24	16	13	M8x1,25
EP025-1/4"	25	24	16	13	1/4" UNC-20
EP025-5/16"	25	24	16	13	5/16" UNC-18
EP025-3/8"	25	24	16	13	3/8" UNC-16
EP030-M8	30	29	23	13	M8x1,25
EP030-5/16"	30	29	23	13	5/16" UNC-18
EP032-M8	32	30	23	13	M8x1,25
EP032-M10	32	30	23	13	M10x1,25
EP032-5/16"	32	30	23	13	5/16" UNC-18
EP032-3/8"	32	30	23	13	3/8" UNC-16
EP038-M10	38	36	27	16	M10x1,50
EP038-3/8"	38	36	27	16	3/8" UNC-16
EP038-1/2"	38	36	27	16	1/2" W-12
EP050-M12	50	48	30	20	M12x1,75
EP050-1/2"	50	49	30	20	1/2" W-12